

Overview

- M12, female, A-coded; 8-poles; TPE-S, 500 cm, shielded, free cable end
- Dragchain capable
- Head A: IP65, IP68, IP69K
- Halogen free



Technical data

Side A		Cable	
Head A: Connection	M12	Length tolerance	± 7.5 cm
Head A: Angle cable outlet	0°	Cable length	500 cm
Head A: Gender	Female	Acceleration (C-track)	max. 2 m/s ²
Head A: Coding	A	Bending radius (fixed)	min. 7.5 × outer diameter
Head A: No. of poles	8	Bending radius (mobile)	min. 10 × outer diameter
Head A: LED	No	Cable weight	approx. 66 g/m
Head A: Width across flats	AF14	Conductor structure	32 × 0.1 mm
Head A: Tightening torque	0.6 Nm	Cable diameter	6.7 mm ± 5%
Head A: Knurled nut material	Stainless steel (V4A)	Conductor: Material	Copper, bare
Head A: Body color	Blue	External sheath: Material	TPE-S
Head A: Gasket material	EPDM	Insulation: Material	PP
Labeling sleeve side A	No	Shielding: Material	Copper, tinned
Side B		No. of bending cycles (C-track)	approx. 2000000 Cycles
Head B: Connection	Open-ended wires	Nominal voltage	300 V AC
Labeling sleeve side B	No	Paired stranding	No
Cables		Single wire diameter	0.1 mm
Cable length	500 cm	Cable: Test voltage	3 kV
Length tolerance	± 7.5 cm	Total stranding	8 wires strand around core-filler
Stripping length	60 mm	Travel speed (C-track)	max. 3.3 m/s
Shielded	Yes	Traversing path (horizontal)	max. 5 m
Conductor structure	32 × 0.1 mm	Wire cross section	0.25 mm ²
External sheath: Material	TPE-S	Wire processing	No
External sheath: Color	Blue	Wire diameter incl. isolation	1.25 mm ± 5%
Cable diameter	6.7 mm ± 5%	External sheath: Color	Blue
Wire cross section	0.25 mm ²	Electrical data	
Cable		Operating voltage	max. 30 V AC/DC
External sheath: Shore hardness	47 ± 5 D	Nominal voltage	300 V AC
Cable: Temperature range (mobile)	- 20 ...+ 105 °C	Contact resistance	max. 30 mOhm
Cable: Temperature range (fixed)	- 40 ...+ 105 °C	Operating current per contact	max. 2 A
Shielded	Yes	Mechanical data	
Shielding: Covering	approx. 85 %	Head A: Degree of protection	IP65, IP68, IP69K
Shielding attenuation	0	Bending radius (mobile)	min. 10 × outer diameter
Bending radius (fixed)	50.25 mm	Bending radius (fixed)	min. 7.5 × outer diameter
Number of wires	8	No. of bending cycles (C-track)	approx. 2000000 Cycles
Number and diameter of wires	8x0.25	Acceleration (C-track)	max. 2 m/s ²
		Travel speed (C-track)	max. 3.3 m/s

The product features and technical data specified do not express or imply any warranty. Technical modifications subject to change. 2024-07-16

Technical data

Environmental conditions

Temperature range (mobile)	- 20 ...+ 105 °C
Temperature range (fixed)	- 40 ...+ 105 °C
Cable: Temperature range (fixed)	- 40 ...+ 105 °C
Dragchain capable	Yes
Head A: Chemical resistance	Chemical resistance tested according to ECOLAB. If other media are used, the material resistance must be tested according to the application.

Environmental conditions

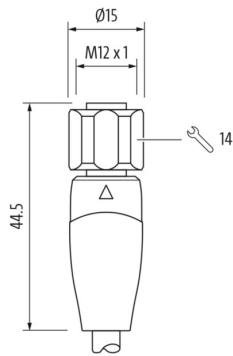
Head A: Flame resistance	HB (UL 94)
Head A: Oil resistance	ASTM 1 oil, mineral oils, limited to hydraulic oils
Head A: Acid and alkali resistant	ECOLAB tested
Cable: Acid and alkali resistant	Good (FDA 21 178.3620, 178.3297, 177.1520, EU 10/2011)
Cable: Silicone-free	Yes

Commercial data

Eclass	27060311
--------	----------

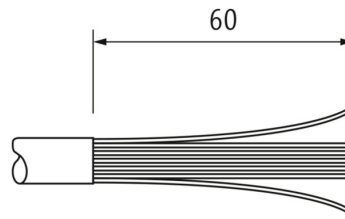
Side A

Technical drawing

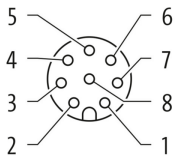


Side B

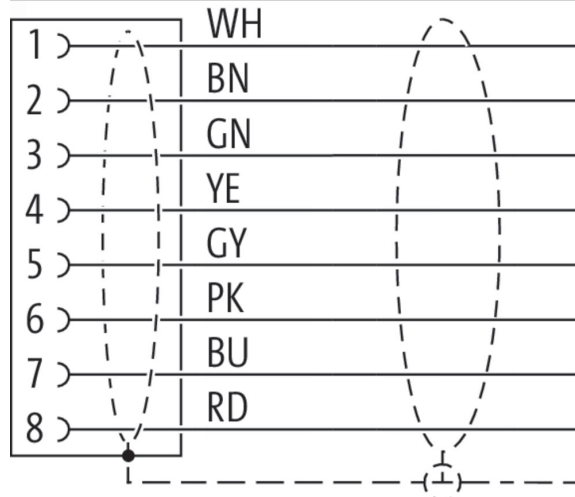
Technical drawing



Coding



Connection diagram



Dimension drawing

