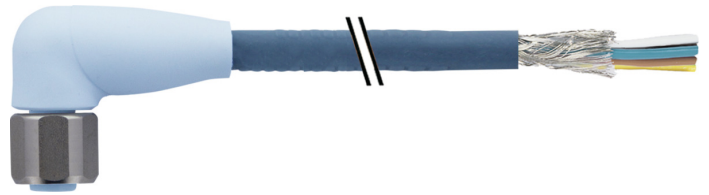


**Overview**

- M12, female, A-coded; 5-poles; TPE-S, 300 cm, shielded, free cable end
- Dragchain capable; suitable for robotics  $\pm 180^\circ/\text{m}$ ; suitable for food & beverage
- Head A: IP65, IP68, IP69K
- ECOLAB tested
- Halogen free



**Technical data**

| Side A                             |                       | Cable                              |                                   |
|------------------------------------|-----------------------|------------------------------------|-----------------------------------|
| Head A: Connection                 | M12                   | Number and diameter of wires       | 5x0.34                            |
| Head A: Angle cable outlet         | 90°                   | Length tolerance                   | + 10 cm                           |
| Head A: Gender                     | Female                | Cable length                       | 300 cm                            |
| Head A: Coding                     | A                     | Acceleration (C-track)             | max. 10 m/s <sup>2</sup>          |
| Head A: No. of poles               | 5                     | AWG                                | 22                                |
| Head A: LED                        | No                    | Bending radius (fixed)             | min. 5 × outer diameter           |
| Head A: Width across flats         | AF14                  | Torsion speed                      | max. 35 cycles/min                |
| Head A: Tightening torque          | 0.6 Nm                | Bending radius (mobile)            | min. 10 × outer diameter          |
| Head A: Knurled nut material       | Stainless steel (V4A) | Cable weight                       | approx. 51.7 g/m                  |
| Head A: Body color                 | Blue                  | Conductor structure                | 42 × 0.1 mm                       |
| Head A: Gasket material            | EPDM                  | Cable diameter                     | 5.9 mm ± 5%                       |
| Labeling sleeve side A             | No                    | Conductor: Material                | Copper, bare                      |
| Side B                             |                       | External sheath: Material          | TPE-S                             |
| Head B: Connection                 | Open-ended wires      | Insulation: Material               | PP                                |
| Labeling sleeve side B             | No                    | Shielding: Material                | Copper, tinned                    |
| Cables                             |                       | No. of bending cycles (C-track)    | approx. 4000000 Cycles            |
| Cable length                       | 300 cm                | Nominal voltage                    | 300 V AC                          |
| Length tolerance                   | + 10 cm               | No. of torsion cycles              | approx. 2000000 Cycles            |
| Stripping length                   | 20 mm                 | Paired stranding                   | No                                |
| Shielded                           | Yes                   | Single wire diameter               | 0.1 mm                            |
| Conductor structure                | 42 × 0.1 mm           | Cable: Test voltage                | 3 kV                              |
| AWG                                | 22                    | Torsion stress in °                | ± 180 °/m                         |
| External sheath: Material          | TPE-S                 | Total stranding                    | 5 wires strand around core-filler |
| External sheath: Color             | Blue                  | Travel speed (C-track)             | max. 3 m/s                        |
| Cable diameter                     | 5.9 mm ± 5%           | Traversing path (horizontal)       | max. 10 m                         |
| Wire cross section                 | 0.34 mm <sup>2</sup>  | Wire cross section                 | 0.34 mm <sup>2</sup>              |
| Cable                              |                       | Wire processing                    | No                                |
| Cable: Temperature range (mobile)  | - 25 ...+ 105 °C      | Wire diameter incl. isolation      | 1.27 mm ± 5%                      |
| Cable: Temperature range (fixed)   | - 40 ...+ 105 °C      | External sheath: Color             | Blue                              |
| Operating voltage (only UL listed) | 30 V AC/DC            | Electrical data                    |                                   |
| Shielded                           | Yes                   | Operating voltage                  | max. 60 V AC/DC                   |
| Shielding: Covering                | approx. 85 %          | Operating voltage (only UL listed) | 30 V AC/DC                        |
| Bending radius (fixed)             | 29.5 mm               | Nominal voltage                    | 300 V AC                          |
| Number of wires                    | 5                     | Contact resistance                 | max. 30 mOhm                      |

The product features and technical data specified do not express or imply any warranty. Technical modifications subject to change. 2024-05-22

**Technical data**

**Electrical data**

Operating current per contact max. 4 A

**Mechanical data**

Head A: Degree of protection IP65, IP68, IP69K  
 Bending radius (mobile) min. 10 × outer diameter  
 Bending radius (fixed) min. 5 × outer diameter  
 No. of bending cycles (C-track) approx. 4000000 Cycles  
 Torsion speed max. 35 cycles/min  
 Torsion stress in ° ± 180 °/m  
 No. of torsion cycles approx. 2000000 Cycles  
 Acceleration (C-track) max. 10 m/s<sup>2</sup>  
 Travel speed (C-track) max. 3 m/s

**Environmental conditions**

Temperature range (mobile) - 25 ...+ 105 °C  
 Temperature range (fixed) - 40 ...+ 105 °C  
 Cable: Temperature range (fixed) - 40 ...+ 105 °C

**Environmental conditions**

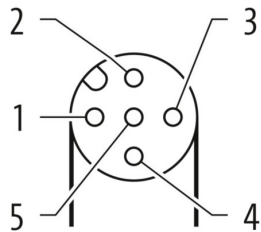
Dragchain capable Yes  
 Head A: Chemical resistance Chemical resistance tested according to ECOLAB. If other media are used, the material resistance must be tested according to the application.  
 Head A: Flame resistance HB (UL 94)  
 Head A: Oil resistance ASTM 1 oil, mineral oils, limited to hydraulic oils  
 Head A: Acid and alkali resistant ECOLAB tested  
 Head A: Pollution degree 3  
 Cable: Chemical resistance ECOLAB material resistance test passed  
 Cable: Acid and alkali resistant Good (FDA 21 178.3620, 178.3297, 177.1520, EU 10/2011)  
 Cable: Silicone-free Yes

**Commercial data**

Eclass 27060311

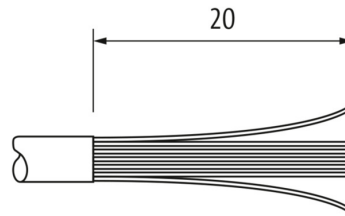
**Side A**

**Coding**

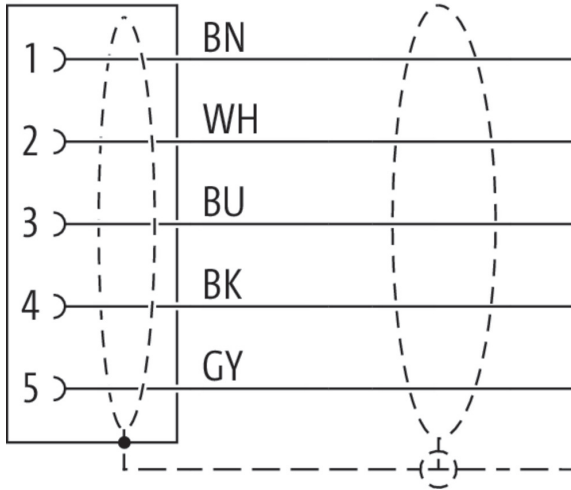


**Side B**

**Technical drawing**



**Connection diagram**



**Dimension drawing**

