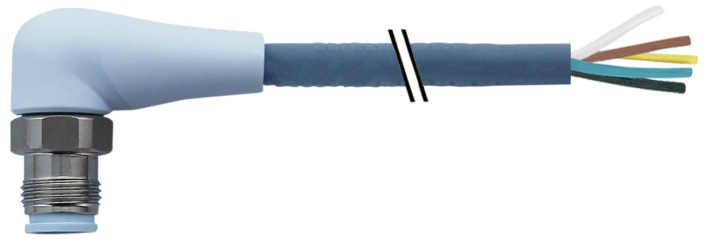


**Overview**

- M12, male, A-coded; 5-poles; TPE-S, 100 cm, free cable end
- Dragchain capable; suitable for robotics  $\pm 180^\circ/\text{m}$ ; suitable for food & beverage
- Head A: IP65, IP68, IP69K
- ECOLAB tested
- Halogen free



**Technical data**

**Side A**

|                              |                       |
|------------------------------|-----------------------|
| Head A: Connection           | M12                   |
| Head A: Angle cable outlet   | 90°                   |
| Head A: Gender               | Male                  |
| Head A: Coding               | A                     |
| Head A: No. of poles         | 5                     |
| Head A: LED                  | No                    |
| Head A: Width across flats   | AF14                  |
| Head A: Tightening torque    | 0.6 Nm                |
| Head A: Knurled nut material | Stainless steel (V4A) |
| Head A: Body color           | Blue                  |
| Labeling sleeve side A       | No                    |

**Side B**

|                        |                  |
|------------------------|------------------|
| Head B: Connection     | Open-ended wires |
| Labeling sleeve side B | No               |

**Cables**

|                           |                      |
|---------------------------|----------------------|
| Cable length              | 100 cm               |
| Length tolerance          | + 5 cm               |
| Stripping length          | 20 mm                |
| Shielded                  | No                   |
| Conductor structure       | 42 × 0.1 mm          |
| AWG                       | 22                   |
| External sheath: Material | TPE-S                |
| External sheath: Color    | Blue                 |
| Cable diameter            | 5 mm ± 5%            |
| Wire cross section        | 0.34 mm <sup>2</sup> |

**Cable**

|                                    |                  |
|------------------------------------|------------------|
| Cable: Temperature range (mobile)  | - 25 ...+ 105 °C |
| Cable: Temperature range (fixed)   | - 40 ...+ 105 °C |
| Operating voltage (only UL listed) | 30 V AC/DC       |
| Shielded                           | No               |
| Bending radius (fixed)             | 25 mm            |
| Number of wires                    | 5                |
| Number and diameter of wires       | 5x0.34           |
| Length tolerance                   | + 5 cm           |

**Cable**

|                                 |                                   |
|---------------------------------|-----------------------------------|
| Cable length                    | 100 cm                            |
| Acceleration (C-track)          | max. 10 m/s <sup>2</sup>          |
| AWG                             | 22                                |
| Bending radius (fixed)          | min. 5 × outer diameter           |
| Torsion speed                   | max. 35 cycles/min                |
| Bending radius (mobile)         | min. 10 × outer diameter          |
| Cable weight                    | approx. 35.2 g/m                  |
| Conductor structure             | 42 × 0.1 mm                       |
| Cable diameter                  | 5 mm ± 5%                         |
| Conductor: Material             | Copper, bare                      |
| External sheath: Material       | TPE-S                             |
| Insulation: Material            | PP                                |
| No. of bending cycles (C-track) | approx. 4000000 Cycles            |
| Nominal voltage                 | 300 V AC                          |
| No. of torsion cycles           | approx. 2000000 Cycles            |
| Paired stranding                | No                                |
| Single wire diameter            | 0.1 mm                            |
| Cable: Test voltage             | 3 kV                              |
| Torsion stress in °             | $\pm 180^\circ/\text{m}$          |
| Total stranding                 | 5 wires strand around core-filler |
| Travel speed (C-track)          | max. 3 m/s                        |
| Traversing path (horizontal)    | max. 10 m                         |
| Wire cross section              | 0.34 mm <sup>2</sup>              |
| Wire processing                 | No                                |
| Wire diameter incl. isolation   | 1.27 mm ± 5%                      |
| External sheath: Color          | Blue                              |

**Electrical data**

|                                    |                  |
|------------------------------------|------------------|
| Operating voltage                  | max. 125 V AC/DC |
| Operating voltage (only UL listed) | 30 V AC/DC       |
| Nominal voltage                    | 300 V AC         |
| Contact resistance                 | max. 30 mOhm     |
| Operating current per contact      | max. 4 A         |

**Mechanical data**

|                              |                          |
|------------------------------|--------------------------|
| Head A: Degree of protection | IP65, IP68, IP69K        |
| Bending radius (mobile)      | min. 10 × outer diameter |

**Technical data**

**Mechanical data**

|                                 |                          |
|---------------------------------|--------------------------|
| Bending radius (fixed)          | min. 5 × outer diameter  |
| No. of bending cycles (C-track) | approx. 4000000 Cycles   |
| Torsion speed                   | max. 35 cycles/min       |
| Torsion stress in °             | ± 180 °/m                |
| No. of torsion cycles           | approx. 2000000 Cycles   |
| Acceleration (C-track)          | max. 10 m/s <sup>2</sup> |
| Travel speed (C-track)          | max. 3 m/s               |

**Environmental conditions**

|                                  |   |
|----------------------------------|---|
| Temperature range (mobile)       | - 25 ...+ 105 °C  |
| Temperature range (fixed)        | - 40 ...+ 105 °C  |
| Cable: Temperature range (fixed) | - 40 ...+ 105 °C  |
| Dragchain capable                | Yes   |
| Head A: Chemical resistance      | Chemical resistance tested according to ECOLAB. If other media are used, the material resistance must be tested according to the application. |

**Environmental conditions**

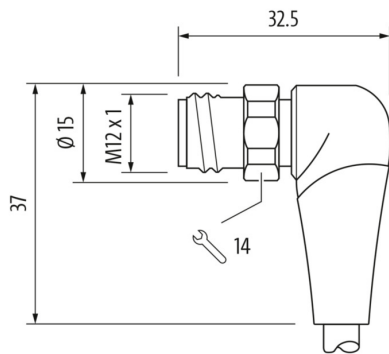
|                                   |  |
|-----------------------------------|--|
| Head A: Flame resistance          | HB (UL 94)   |
| Head A: Oil resistance            | ASTM 1 oil, mineral oils, limited to hydraulic oils    |
| Head A: Acid and alkali resistant | ECOLAB tested  |
| Head A: Pollution degree          | 3  |
| Cable: Chemical resistance        | ECOLAB material resistance test passed                 |
| Cable: Acid and alkali resistant  | Good (FDA 21 178.3620, 178.3297, 177.1520, EU 10/2011) |
| Cable: Silicone-free              | Yes  |

**Commercial data**

|        |          |
|--------|----------|
| Eclass | 27060311 |
|--------|----------|

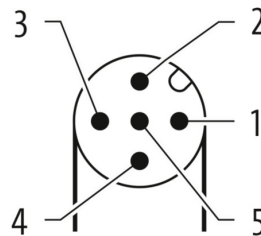
**Side A**

**Technical drawing**



**Side A**

**Coding**

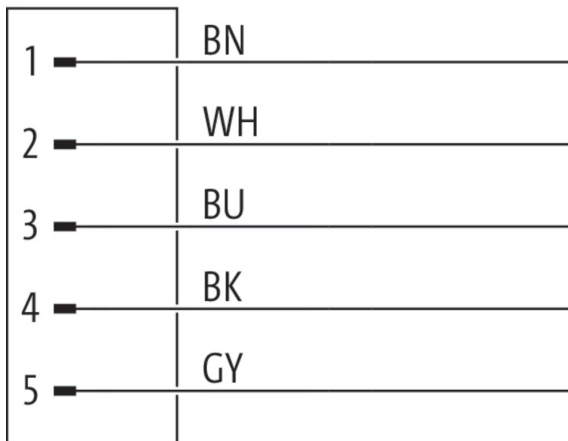


**Side B**

**Technical drawing**



**Connection diagram**



**Dimension drawing**

