

Vue d'ensemble

- Female angular 90°
- M12 , 4-pole, A-coded
- max. 0,75mm², 4 - 6mm



Caractéristiques techniques

Side A

Head A: Connection	M12
Head A: Angle cable outlet	90°
Head A: Gender	Female
Head A: Coding	A
Head A: Shielded	No
Head A: No. of poles	4
Head A: Tightening torque	0,6 Nm
Head A: Knurled nut material	GD-Zn,Ni
Head A: Body color	Black
Head A: Gasket material	Elastomer
Max. AWG	20
Connection method	Screw terminals
Wire cross section (max.)	0,75 mm ²

Side A

Cable diameter (max.)	6 mm
Cable diameter (min.)	4 mm

Données électriques

Operating voltage	max. 250 V AC/DC 0
Operating current per contact	max. 4 A

Données mécaniques

Head A: Degree of protection	IP67
------------------------------	------

Conditions ambiantes

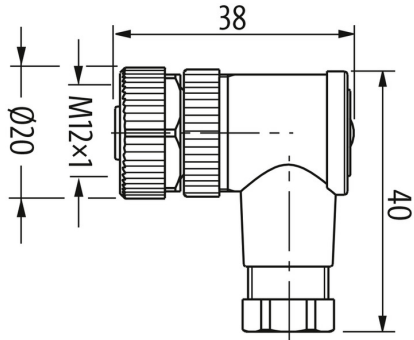
Temperature range (fixed)	- 40 ...+ 85 °C
Head A: Pollution degree	3

Commercial data

Eclass	27440102
--------	----------

Side A

Technical drawing



Coding

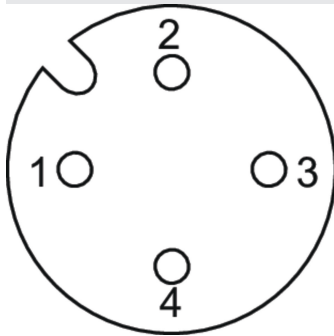


Schéma de raccordement

