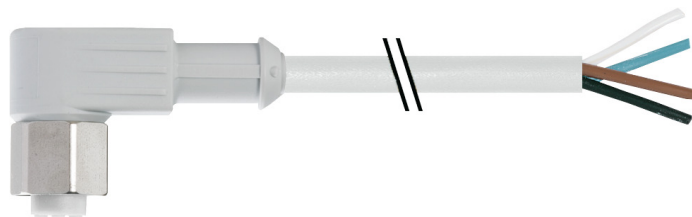


Vue d'ensemble

- M12, female, A-coded; 4-poles; PVC, 2000 cm, free cable end
- Suitable for food & beverage
- Head A: IP65, IP68
- Cable: good resistance against chemicals, flames


Caractéristiques techniques

Side A		Cable	
Head A: Connection	M12	Cable length	2000 cm
Head A: Angle cable outlet	90°	AWG	22
Head A: Gender	Female	Bending radius (fixed)	min. 5 × outer diameter
Head A: Coding	A	Cable type	1
Head A: No. of poles	4	Cable weight	approx. 40,7 g/m
Head A: LED	No	Conductor structure	19 × 0,15 mm
Head A: Width across flats	AF14	Cable diameter	5 mm ± 5%
Head A: Tightening torque	0,6 Nm	Conductor: Material	Copper, bare
Head A: Knurled nut material	Stainless steel (V4A)	External sheath: Material	PVC
Head A: Body color	Gray	Insulation: Material	PVC
Head A: Gasket material	FKM	Nominal voltage	300 V AC
Labeling sleeve side A	No	Paired stranding	No
Side B		Single wire diameter	0,15 mm
Head B: Connection	Open-ended wires	Cable: Test voltage	2 kV
Labeling sleeve side B	No	Total stranding	4 wires strand
Cables		Wire cross section	0,34 mm ²
Cable length	2000 cm	Wire processing	No
Length tolerance	± 30 cm	Wire diameter incl. isolation	1,25 mm ± 5%
Stripping length	20 mm	External sheath: Color	Gray
Shielded	No	Données électriques	
Conductor structure	19 × 0,15 mm	Operating voltage	max. 250 V AC/DC
AWG	22	Operating voltage (only UL listed)	30 V AC/DC
External sheath: Material	PVC	Nominal voltage	300 V AC
External sheath: Color	Gray	Contact resistance	max. 30 mOhm
Cable diameter	5 mm ± 5%	Operating current per contact	max. 4 A
Wire cross section	0,34 mm ²	Données mécaniques	
Cable		Head A: Degree of protection	IP65, IP68
Cable: Temperature range (mobile)	- 5 ...+ 80 °C	Bending radius (fixed)	min. 5 × outer diameter
Cable: Temperature range (fixed)	- 30 ...+ 80 °C	Conditions ambiantes	
Operating voltage (only UL listed)	30 V AC/DC	Temperature range (mobile)	- 5 ...+ 80 °C
Shielded	No	Temperature range (fixed)	- 25 ...+ 80 °C
Bending radius (fixed)	25 mm	Cable: Temperature range (fixed)	- 30 ...+ 80 °C
Number of wires	4	Dragchain capable	No
Number and diameter of wires	4x0,34	Head A: Chemical resistance	No
Length tolerance	± 30 cm		

Caractéristiques techniques

Conditions ambiantes

Head A: Flame resistance	HB (UL 94)
Head A: Oil resistance	ASTM 1 oil, mineral oils, limited to hydraulic oils
Head A: Acid and alkali resistant	No
Head A: Pollution degree	3
Cable: Chemical resistance	Good

Conditions ambiantes

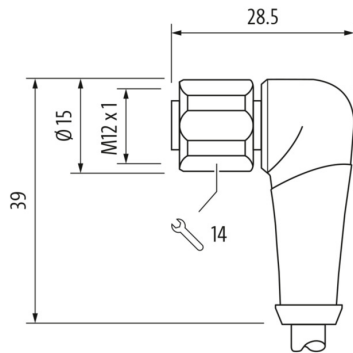
Cable: Flame resistance	Conform UL 1581 VW-1, CSA FT1, IEC 60332-1-2
Cable: Oil resistance	Good
Cable: Silicone-free	Oui

Commercial data

Eclass	27060311
--------	----------

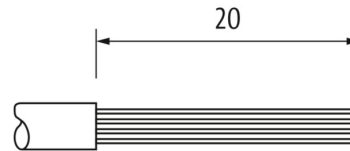
Side A

Technical drawing



Side B

Technical drawing



Coding

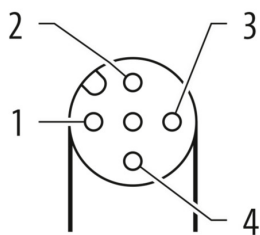


Schéma de raccordement

1)	BN
2)	WH
3)	BU
4)	BK

Dessin d'encombrement

