

**Vue d'ensemble**

- M12, female, A-coded, 12-poles; PUR, 1000 cm, shielded, free cable end
- Dragchain capable
- Head A: IP67
- Cable: good resistance against chemicals, flames, oils
- Halogen free


**Caractéristiques techniques**

Side A		Cable	
Head A: Connection	M12	Bending radius (fixed)	32,5 mm
Head A: Angle cable outlet	0°	Number of wires	12
Head A: Gender	Female	Number and diameter of wires	12x0,14
Head A: Coding	A	Length tolerance	± 15 cm
Head A: No. of poles	12	Cable length	1000 cm
Head A: LED	No	Acceleration (C-track)	max. 5 m/s <sup>2</sup>
Head A: Width across flats	AF13	AWG	26
Head A: Tightening torque	0,6 Nm	Bending radius (fixed)	min. 5 × outer diameter
Head A: Knurled nut material	Zinc-pressure die casting, surface Ni	Torsion speed	max. 35 cycles/min
Head A: Body color	Black	Bending radius (mobile)	min. 10 × outer diameter
Head A: Gasket material	FKM	Cable type	3
Labeling sleeve side A	Yes	Cable weight	approx. 67,1 g/m
Side B		Conductor structure	18 × 0,1 mm
Head B: Connection	Open-ended wires	Cable diameter	6,5 mm ± 5%
Labeling sleeve side B	Yes	Conductor: Material	Copper, bare
Cables		External sheath: Material	PUR
Cable length	1000 cm	Insulation: Material	PP
Length tolerance	± 15 cm	Shielding: Material	Copper, tinned
Stripping length	80 mm	No. of bending cycles (C-track)	approx. 5000000 Cycles
Shielded	Oui	Nominal voltage	300 V
Conductor structure	18 × 0,1 mm	No. of torsion cycles	approx. 2000000 Cycles
AWG	26	Paired stranding	No
External sheath: Material	PUR	Single wire diameter	0,1 mm
External sheath: Color	Black	Cable: Test voltage	2 kV AC core-core ; 2 kV AC core-shield
Cable diameter	6,5 mm ± 5%	Torsion stress in °	± 30 °/m
Wire cross section	0,14 mm <sup>2</sup>	Total stranding	3 wires strand, above that 9 wires strand
Cable		Travel speed (C-track)	max. 3,3 m/s
External sheath: Shore hardness	90 ± 5 A	Traversing path (horizontal)	max. 5 m
Cable: Temperature range (mobile)	- 25 ...+ 80 °C	Wire cross section	0,14 mm <sup>2</sup>
Cable: Temperature range (fixed)	- 40 ...+ 80 °C	Wire processing	No
Weight [conductor]	0	Wire stripping length	80 mm
Shielded	Oui	Wire diameter incl. isolation	1 mm ± 5%
Shielding: Covering	approx. 80 %	External sheath: Color	Black
Characteristic impedance	0	Données électriques	
Shielding attenuation	80	Operating voltage	max. 30 V AC/DC
		Nominal voltage	300 V
		Contact resistance	max. 30 mOhm

**Caractéristiques techniques**

**Données électriques**

Operating current per contact      max. 1,5 A

**Données mécaniques**

Head A: Degree of protection      IP65, IP66K, IP67  
 Bending radius (mobile)      min. 10 × outer diameter  
 Bending radius (fixed)      min. 5 × outer diameter  
 No. of bending cycles (C-track)      approx. 5000000 Cycles  
 Torsion speed      max. 35 cycles/min  
 Torsion stress in °      ± 30 °/m  
 No. of torsion cycles      approx. 2000000 Cycles  
 Acceleration (C-track)      max. 5 m/s<sup>2</sup>  
 Travel speed (C-track)      max. 3,3 m/s

**Conditions ambiantes**

Temperature range (mobile)      - 25 ...+ 80 °C  
 Temperature range (fixed)      - 25 ...+ 80 °C

**Conditions ambiantes**

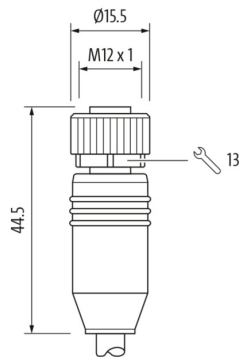
Cable: Temperature range (fixed)      - 40 ...+ 80 °C  
 Dragchain capable      Oui  
 Head A: Chemical resistance      No  
 Head A: Flame resistance      HB (UL 94)  
 Head A: Oil resistance      ASTM 1 oil, mineral oils, limited to hydraulic oils  
 Head A: Acid and alkali resistant      No  
 Head A: Pollution degree      3  
 Cable: Chemical resistance      Good (DIN EN 60811-404)  
 Cable: Flame resistance      Conform UL 1581 §1090 (H), CSA FT2, IEC 60332-2-2  
 Cable: Oil resistance      Good (DIN EN 60811-404)  
 Cable: Silicone-free      Oui

**Commercial data**

Eclass      27060311

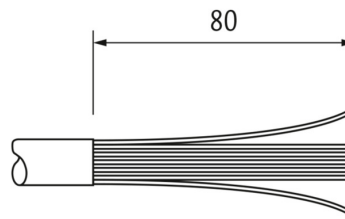
**Side A**

**Technical drawing**

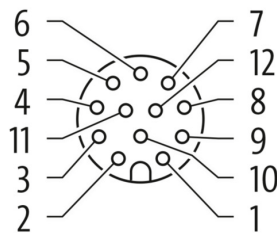


**Side B**

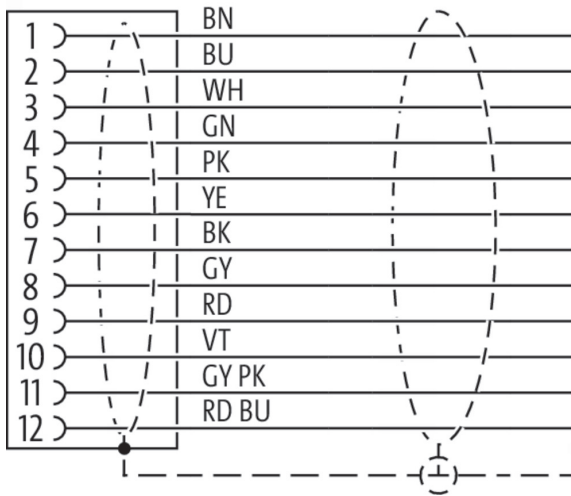
**Technical drawing**



**Coding**



**Schéma de raccordement**



**Dessin d'encombrement**

