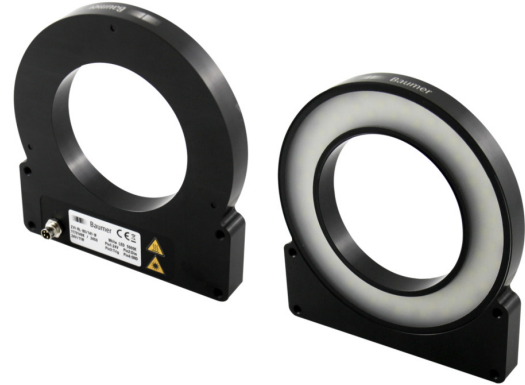


**Overview**

- Flashable white LED ring light
- 5000 K, CRI80
- Radiation angle 90°
- Integrated LED controller with 4 operating modes
- IP54



Picture similar



**Technical data**

**General data**

Manufacturer Baumer

**Illumination data**

Color / Peak wavelength White, 5000 K, CRI80

Beam angle 90°

Operating modes steady light  
steady light with brightness control  
flashed light with PNP sourcing  
flashed light with NPN sourcing

Recommended illumination distance 150 mm ... 300 mm

**Electrical data**

Connectors M8/4-pin male connector

Operating voltage 24 VDC

Maximum flash duration 20 ms

Power consumption approx. 11 W (steady light)  
approx. 25 W (flashed light)

**Mechanical data**

Construction design ring light

Dimensions 141 mm x 130 mm x 14 mm

Inner diameter 80 mm

Dimensions luminous area inner diameter 87 mm  
outer diameter 121 mm

Material of cover glass PMMA (acrylic glass)

Material of housing aluminum (anodized, black)

Weight ≤ 300 g

**Environmental conditions**

Operating temperature 0 ... +30 °C

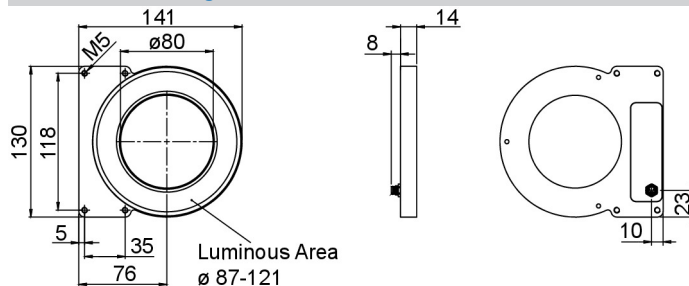
0 ... +45 °C with thermal connection

Conformity CE  
RoHS

Humidity 30 ... 70 %

Protection class IP 54

**Dimension drawing**



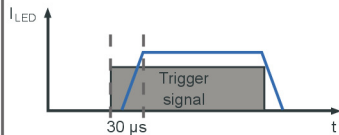
**Principle**

**Steady light**



Current is fixed depending on the respective lighting model.

**Trigger**



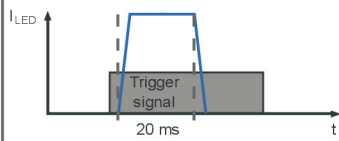
Trigger (Pin3) is a high resistance current sink with 0.2 mA for 5 V and 5 mA for 24 V.  
High = 5...24 V=ON  
Low = 0...1 V=OFF

**Brightness control**



DIM (Pin2) is used as brightness control and operation mode switch. It's a high resistance current sink with 0.2 mA for 5 V and 1 mA for 24 V.  
PWM frequency: 3.8 kHz  
Min. exposure time: 5 ms

**Flash light**

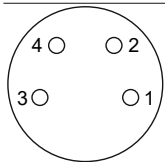


Triggered flash light with overdrive current and time-out for LED protection.  
Max. flash time: 20 ms  
Min. flash time: 100µs  
Latency (trigger -> LED ON): max 30µs  
Max. clock speed: 1 kHz  
Max. duty cycle: 25 %

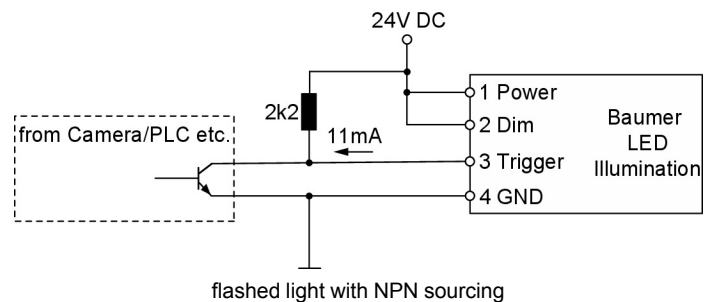
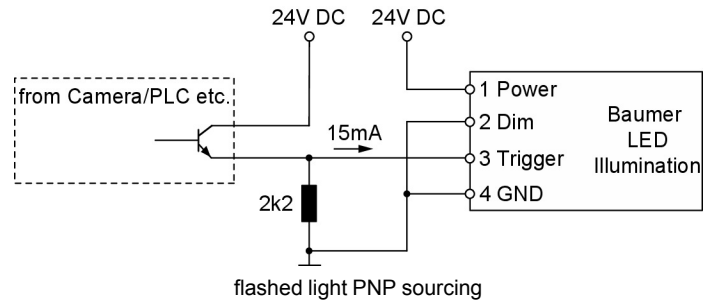
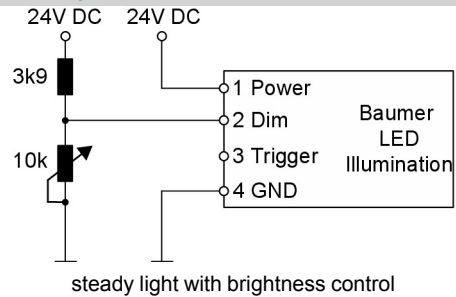
**Pin assignment**

**M8 socket, 4-pin**

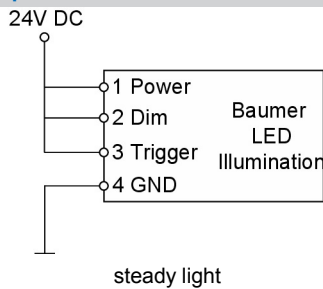
Pin	Core color	Description
1	brown	24 VDC
2	white	Dim
3	blue	Trigger
4	black	Ground



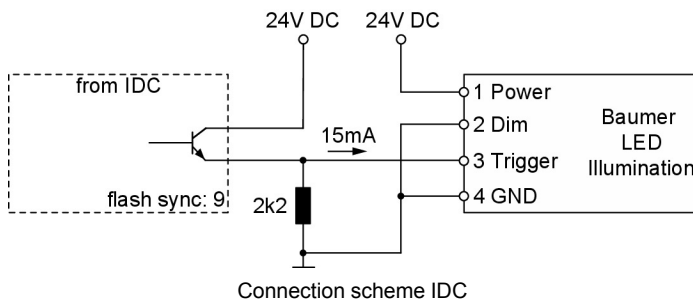
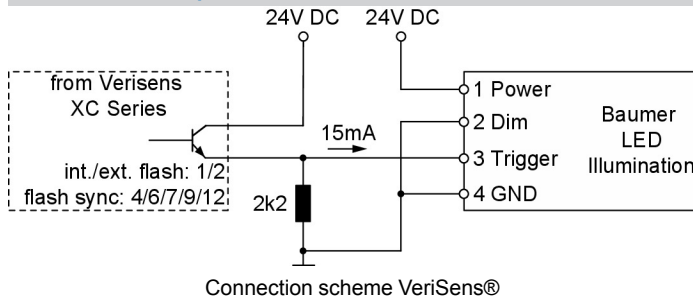
**Connection examples**



**Connection examples**



**Connection examples**



**Safety notes**



Read the warning and application instructions carefully and completely before working with this device.

Only operate the illumination in compliance with the prescribed protective measures. It is essential to ensure compliance with the permissible ambient conditions.

- The device is only designed for indoor use.
- **Light:**  
Due to the risk of eye irritation or injury, it is not recommended to look directly into the light source. The illumination system must be switched off before installation and/or maintenance. The device must not be used if incorrect operation may cause personal injury.
- **Heat:**  
The surface temperature may exceed 60 °C if heat dissipation is inadequate or when the illumination is operated in flash mode with an excessively high duty cycle. Keep away from flammable materials by all means.
- **Electricity:**  
The housing is electrically isolated from the power supply ground. Exceeding the permissible input voltage  $U_{in}$  or  $U_{LED(+)}$  may cause damage to the device or significantly shorten the service life of the LEDs within the device.
- **Usage:**  
Do not apply mechanical stress to the luminous area during operation. This will result in inhomogeneous light emission.
- **Cleaning:**  
The light surface must be cleaned with a conventional glass cleaner and a soft cleaning cloth. Avoid using other cleaning agents as these can damage the device.
- **Installation:**  
To maximize the service life of the LED, it is important to avoid heat build-up. To do so, install the lighting with a proper thermal connection. Be sure to hand-tighten the cables, do not overtighten.