

AFI4

AFI4-###0.#0#2.0###

Overview

- All-in-One conductivity sensor
- All wetted parts in PEEK
- Compact, food-safe, hygienic design
- 3-A sanitary standards and FDA-compliant, EHEDG-certified



Technical data

Performance characteristics conductivity

Conductivity	14 selectable ranges
Min. measurable conductivity	50 µS/cm
Measuring ranges (selectable)	0... 500 µS/cm 0... 1 mS/cm 0... 2 mS/cm 0... 3 mS/cm 0... 5 mS/cm 0... 10 mS/cm 0... 20 mS/cm 0... 30 mS/cm 0... 50 mS/cm 0... 100 mS/cm 0... 200 mS/cm 0... 300 mS/cm 0... 500 mS/cm 0... 1000 mS/cm
Max. measuring span	1000 mS/cm
Min. measuring span	500 µS/cm
Max. measuring error	± 1.0 % FSR, 0 ... 1 mS/cm to 0 ... 500 mS/cm ± 1.5 % FSR, 0 ... 1000 mS/cm ± 1.5 % FSR, 0 ... 500 µS/cm
Reference conditions for max. measuring error	Sensor incl. transmitter @ 25°C ambient temperature
Reference temperature	25 °C, adjustable
Repeatability	< 0.5 % FSR, > 1 mS/cm
Compensated temperature range	-20 ... 150 °C
Temperature compensation	0.0 ... 5.0 % FSR/K, adjustable
Step response time, T90	≤ 2.0 s
Sample time	≤ 0.3 s

Performance characteristics conductivity

Temperature coefficient (Factor of change in process temperature from 25°C)	≤ 0.1 % FSR/K
Temperature coefficient (Factor of change in process temperature from 25°C) (0 ... 500 µS / cm)	≤ 0.3 % FSR/K
Performance characteristics concentration	
Concentration	4 factory set media
HNO ₃ (nitric acid)	0... 25 % by weight, 0 ... 80 °C 36 ... 82 % by weight, 0 ... 80 °C
NaOH (caustic soda)	0... 12 % by weight, 0 ... 90 °C 25 ... 50 % by weight, 0 ... 90 °C
Customer defined media	Customer defined (30 point lookup table)

Performance characteristics temperature

Temperature	Free programmable range
Measuring range	-20 ... 150 °C
Step response time, T90	≤ 15 s
Max. measuring error	± 0.4 K
Reference conditions for max. measuring error	Sensor incl. transmitter @ 25°C ambient temperature
Temperature coefficient (Factor of change in process temperature from 25°C)	≤ 0.5 % FSR/K

Process conditions

Process temperature	-20 ... 140 °C, permanent 140 ... 150 °C, max. t < 1 h
Process pressure	≤ 25 bar
SIP/CIP compatibility	< 60 min, @ medium temperature up to 150 °C

Process connection

Connection variants	G 1 A hygienic
---------------------	----------------

AFI4

AFI4-###0.#0#2.0###

Technical data

Process connection

Immersion length	Refer to section "Dimensional drawings"
Wetted parts material	PEEK Natura
Surface roughness wetted parts	Ra ≤ 0.8 µm

Ambient conditions

Operating temperature range	-30 ... 80 °C , with DFON touch screen -40 ... 85 °C , without DFON touch screen
Degree of protection (EN 60529)	IP 67 IP 69K , with appropriate cable
Humidity	< 98 % RH , condensing
Insulation voltage	500 V AC
Vibration (sinusoidal) (EN 60068-2-6)	1.0 mm p-p (2 ... 13.2 Hz), 0.7 g (13.2 ... 100 Hz), 1 octave / min.

Output signal

Conductivity/Concentration	4 ... 20 mA
Temperature	4 ... 20 mA
Relays	2 relays included in the display
Current rating	100 mA , max.
Interface	With FlexProgrammer 9701

Housing

Style	FlexHousing, Ø80 mm Bottom process connection Rear process connection
Overall size	Refer to section "Dimensional drawings"
Material	AISI 304 (1.4301)

Electrical connection

Connector (available for left side)	M12-A, 4-pin, stainless steel M16x1.5, plastic M16x1.5, stainless steel M20x1.5, plastic M20x1.5, stainless steel
-------------------------------------	---

Electrical connection

Connector (available for right side)	M16x1.5, plastic M16x1.5, stainless steel M20x1.5, plastic M20x1.5, stainless steel M12-A, 4-pin, stainless steel, 4 ... 20 mA output M12-A, 8-pin, stainless steel, 4 ... 20 mA + relay output
--------------------------------------	--

Power supply

Voltage supply range	15 ... 35 V DC
Current consumption (no load)	150 mA , max.
Power-up time	≤ 10 s , without DFON touch screen ≤ 16 s , with DFON touch screen

Factory settings

Output mode	Conductivity
Conductivity Range 1	0... 200 mS/cm
Conductivity Range 2	0... 20 mS/cm
Conductivity Range 3	0... 2 mS/cm
Conductivity Range 4	0... 500 µS/cm
Temperature output	0... 150 °C
Output damping	0.00 s
Temperature compensation Range 1-4	2.00 % FSR/K
Output lower current limit	3.70 mA
Output upper current limit	21.00 mA

Compliance and approvals

EMC	EN 61326-1:2013
Hygiene	3-A (74-07) EHEDG EL Class I FDA (21 CFR 177.2415)

Operating conditions

Measuring range	Max. measuring error		Conductivity	Media group	Media
0 ... 500 µS/cm	1,5 % FSR	7,5 µS/cm	55 nS/cm	Water	Ultra-pure water
0 ... 1 mS/cm	1,0 % FSR	10 µS/cm	1 µS/cm		Pure water
0 ... 2 mS/cm	1,0 % FSR	20 µS/cm	10 µS/cm		Process water
0 ... 3 mS/cm	1,0 % FSR	30 µS/cm	600 µS/cm	Food & Beverage	Drinking water
0 ... 5 mS/cm	1,0 % FSR	50 µS/cm			Beer
0 ... 10 mS/cm	1,0 % FSR	100 µS/cm			Milk
0 ... 20 mS/cm	1,0 % FSR	200 µS/cm			Orange juice
0 ... 30 mS/cm	1,0 % FSR	300 µS/cm	1 mS/cm	Process	Apple juice
0 ... 50 mS/cm	1,0 % FSR	500 µS/cm			Phosphoric acid
0 ... 100 mS/cm	1,0 % FSR	1 mS/cm			Hydrochloric acid
0 ... 200 mS/cm	1,0 % FSR	2 mS/cm			Sodium hydroxide
0 ... 300 mS/cm	1,0 % FSR	3 mS/cm	10 mS/cm		
0 ... 500 mS/cm	1,0 % FSR	5 mS/cm			
0 ... 1000 mS/cm	1,5 % FSR	15 mS/cm			



Display

General information

Panel type	FSTN Graphical LCD
Display range	-9999 ... 99999
Max. digit height	22 mm
Material	Polycarbonate

AFI4

AFI4-###0.#0#2.0###

Display

Ambient conditions

Operating temperature range	-30 ... 80 °C
Optimal readability temperature range	-10 ... 70 °C
Degree of protection (EN 60529)	IP 67 IP 69 K

Input signal

Input signal from transmitter	Digital, 2-way for communication between transmitter and display
Update time	≤ 1 s , max. 0,3 s , typ.

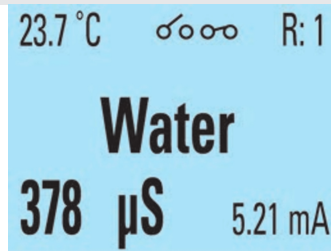
User configurable data

Error- / Warning-indication	Individually configurable display and backlight indication in white, green or red colour, steady or flashing light. Configurable limits over the range
Media description	Customer programmable e.g. "MILK", "Water", "NaOH"
Measuring unit	µS/cm mS/cm % °C °F
User defined measuring unit	8 × 20 pixel matrix
Relays	
Contacts	2 x solid state relays
Max. load current	75 mA
Max. switching voltage	60 V

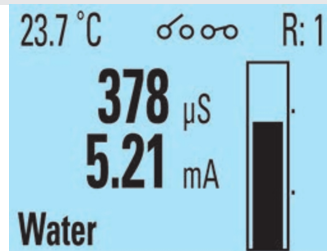
Selectable display views



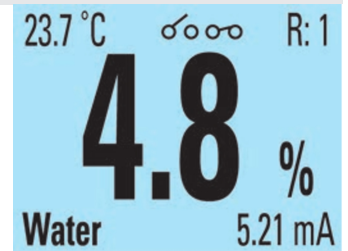
Conductivity value with medium and additional values



Medium with additional values



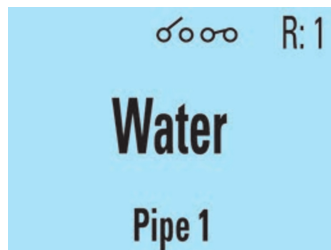
Bar chart with additional values and medium



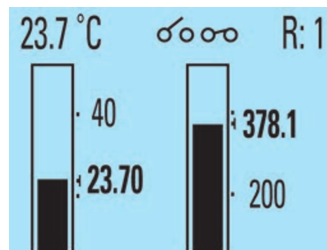
Concentration with additional values and medium



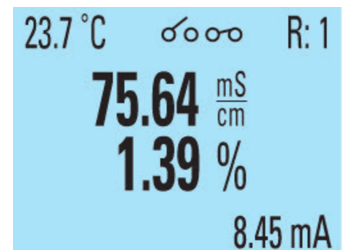
Conductivity value with measuring point (TAG)



Medium with measuring point (TAG)



Bar chart including temperature



Conductivity and concentration value



White background



Green background



Red background



Exemplary error message

AFI4

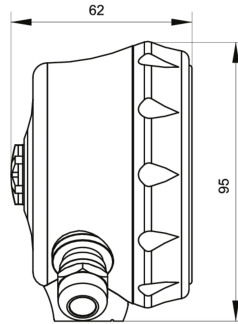
AFI4-###0.#0#2.0###

Dimensional drawings (mm)

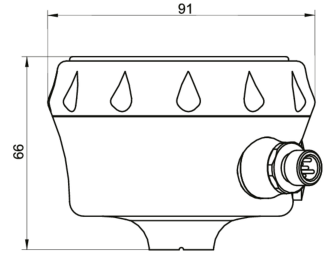
Housing



FlexHousing, available with or without DFON touchscreen

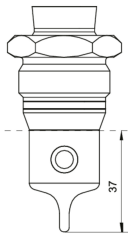


FlexHousing with bottom process connection

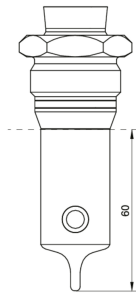


FlexHousing with rear process connection

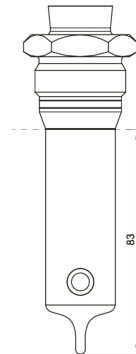
Process connection



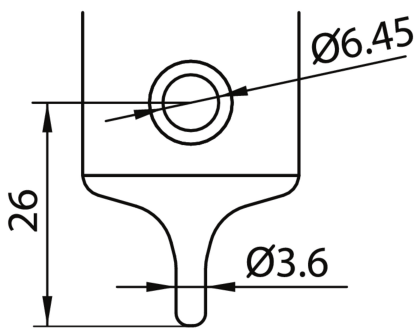
G 1 A hygienic (BCID: A04), PEEK, 37 mm



G 1 A hygienic (BCID: A04), PEEK, 60 mm



G 1 A hygienic (BCID: A04), PEEK, 83 mm



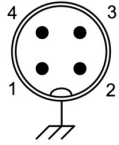
Sensor tip with integrated Pt100 sensor element

AFI4

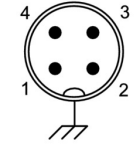
AFI4-###0.#0#2.0###

Electrical connection

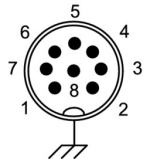
M12-A, 4-pin



M12-A, 4-pin



M12-A, 8-pin



Left side connection (front view): M12-A, 4-pin

Function	Pin assignment
+Vs Power supply +	15 ... 35 V DC 1
GND (0 V) Power supply -	15 ... 35 V DC 3
lout1+ Conductivity +	4 ... 20 mA 4
lout- Conductivity -	4 ... 20 mA 2

IO-Link IO-Link / SW n.c.
lout- is internally connected as common for both Conductivity/Concentration and Temperature output.

Left side connection (front view): Cable gland

Function	Recommended wiring
+Vs Power supply +	15 ... 35 V DC BN
GND (0 V) Power supply -	15 ... 35 V DC BU
lout1+ Conductivity +	4 ... 20 mA BK
lout- Conductivity -	4 ... 20 mA WH

IO-Link IO-Link / SW GY
lout- is internally connected as common for both Conductivity/Concentration and Temperature output.

Right side connection (front view): M12-A, 4-pin

Function	Pin assignment
lout2+ Temperature +	4 ... 20 mA 4
lout- Temperature -	4 ... 20 mA 2
S1 External input	n.c. / 24 V DC 1
S2 External input	n.c. / 24 V DC 3

lout- is internally connected as common for both Conductivity/Concentration and Temperature output.

Right side connection (front view): M12-A, 8-pin

Function	Pin assignment
lout2+ Temperature +	4 ... 20 mA 2
lout- Temperature -	4 ... 20 mA 7
S1 External input	n.c. / 24 V DC 1
S2 External input	n.c. / 24 V DC 8
R11 Relay 1	5
R12 Relay 1	6
R21 Relay 2	3
R22 Relay 2	4

lout- is internally connected as common for both Conductivity/Concentration and Temperature output.

Right side connection (front view): Cable gland

Function	Recommended wiring
lout2+ Temperature +	4 ... 20 mA BN
lout- Temperature -	4 ... 20 mA BU
S1 External input	n.c. / 24 V DC WH
S2 External input	n.c. / 24 V DC RD
R11 Relay 1	GY
R12 Relay 1	PK
R21 Relay 2	GN
R22 Relay 2	YE

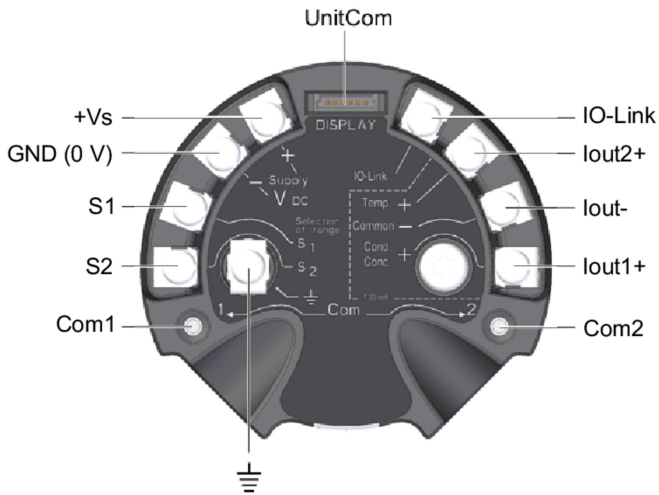
lout- is internally connected as common for both Conductivity/Concentration and Temperature output.

AFI4

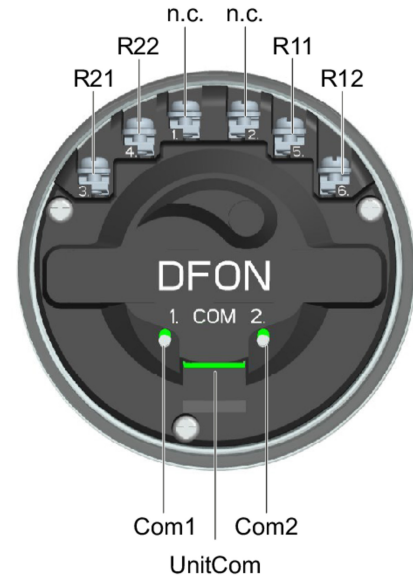
AFI4-###0.#0#2.0###

Electrical connection

Terminal assignment transmitter

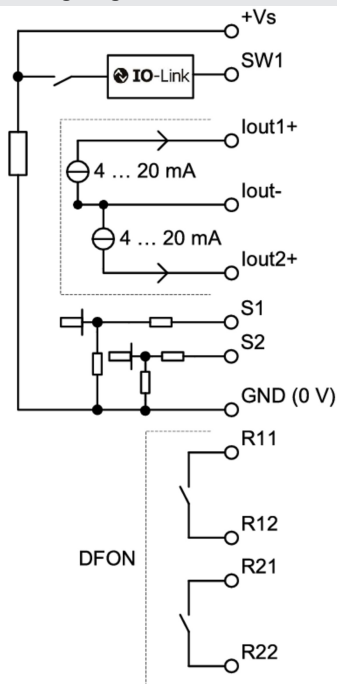


Terminal assignment DFON display



The ground connection is to be connected with the cable shield if using cable gland and shielded cable.

Replacement switching diagram



AFI4

AFI4-###0.#0#2.0###

Ordering information

Ordering key - Configuration possibilities see website

	AFI	4	-	#	#	#	0	.	#	0	#	2	.	0	#	#	#
Product	AFI																
Type																	
Compact version		4															
Housing																	
Bottom process connection																	5
Rear process connection																	6
Electrical connection																	
2 x M12-A, 4-pin																	6
1 x M12-A, 4-pin + 1 x M12-A, 8-pin																	7
2 x M16x1.5 cable gland																	8
1 x M16x1.5 + 1 x M20x1.5 cable gland																	A
2 x M20x1.5 cable gland																	B
Material of el. connection																	
Plastic																	1
Stainless steel, AISI 304 (1.4301)																	3
Cable length (cm)																	
No cable, compact version																	0
Display																	
Without display																	1
With display, with activated relays																	4
Safety																	
Standard																	0
Configuration																	
No configuration																	0
Configuration of range																	1
Configuration of range + display incl. 2 relays																	3
Output																	
2 x 4...20 mA																	2
Version																	
Standard																	0
Process connection																	
G 1 A hygienic, PEEK, length: 37 mm. (A04)																	1
G 1 A hygienic, PEEK, length: 83 mm. (A04)																	2
G 1 A hygienic, PEEK, length: 60 mm. (A04)																	3
Approvals																	
Standard approvals																	0
3-A / EHEDG																	1
3-A																	2
Calibration certificate																	
No																	0
Calibration certificate, conductivity (5 points)																	1
Calibration certificate, temperature. (3 points)																	2
Calibration certificate, conductivity (5 points) and temperature (3 points)																	3