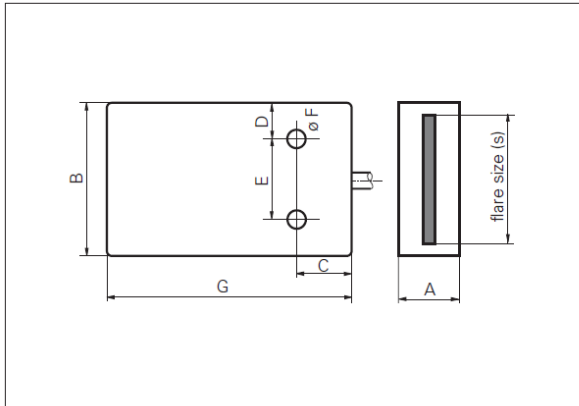


Arrays (for Series 18 only)



Part number	Sb = actual range [mm]
FSF 050A3020 FSE 050A3020 (length 50 cm)	310 500
FSF 100A3020 FSE 100A3020 (length 100 cm)	310 800
FSF 050A3021 FSF 050A3022 (length 50 cm)	350 500
FSF 100A3021 FSF 100A3022 (length 100 cm)	350 900

flare size s	dimensions mm							part number
	A	B	C	D	E	F	G	
8 mm	10	10	-	-	-	-	25	FSF 050A3020 FSF 100A3020
8 mm	10	10	-	-	-	-	25	FSE 050A3020 FSE 100A3020
20 mm	10	25	9	6,5	12	3,2	40	FSF 050A3021 FSF 100A3021
35 mm	12	40	12	7,5	25	4,2	50	FSF 050A3022 FSF 100A3022
metal sheath (FSF...)								length 50 cm length 100 cm
plastic sheath (FSE...) (PUR)								length 50 cm length 100 cm