

## TDP0,2E LT-4 B10 55 EG

Solid shaft with EURO flange B10, with own bearings

Article number: 11136890

### Overview

- Essential version of TDP 0.2 with standard copper collector
- Low response time
- Open circuit voltage 60 mV per rpm
- EURO flange B10
- Very high resistance to shock
- Recognition of sense of rotation possible via control



Picture similar



**HUBNER**  
BERLIN  
A Baumer Brand

### Technical data

#### Technical data - electrical ratings

Reversal tolerance	≤0.1 %
Linearity tolerance	≤0.15 %
Temperature coefficient	± 0.05 %/K (open-circuit)
Isolation class	B
Calibration tolerance	±1 %
Climatic test	Humid heat, constant (IEC 60068-2-3, Ca)
Performance	12 W (speed ≥3000 rpm)
Armature-circuit time-constant	<75 μs
Open-circuit voltage	60 mV per rpm
Interference immunity	EN 61000-6-2
Emitted interference	EN 61000-6-3
Approval	CE

#### Technical data - mechanical design

Size (flange)	ø115 mm
---------------	---------

#### Technical data - mechanical design

Shaft type	ø11 mm solid shaft (with key)
Flange	EURO flange B10
Protection EN 60529	IP 55
Operating speed	≤10000 rpm
Torque	1.5 Ncm
Rotor moment of inertia	1.1 kgcm <sup>2</sup>
Admitted shaft load	≤60 N axial ≤80 N radial
Material	Housing: aluminium die-cast Shaft: stainless steel
Operating temperature	-30...+130 °C
Resistance	IEC 60068-2-6 Vibration 10 g, 10-2000 Hz IEC 60068-2-27 Shock 300 g, 1 ms
Weight approx.	2.4 kg
Connection	Terminal box

### Optional

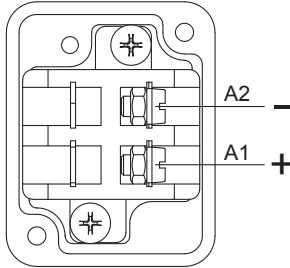
- Powder-coated housing

## Terminal assignment

### View A (see dimension)

Connecting terminal tachogenerator TDP

Polarity for positive rotating direction

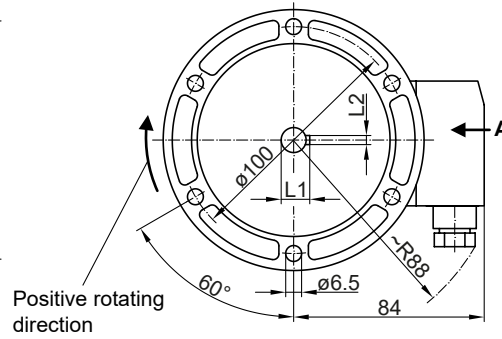
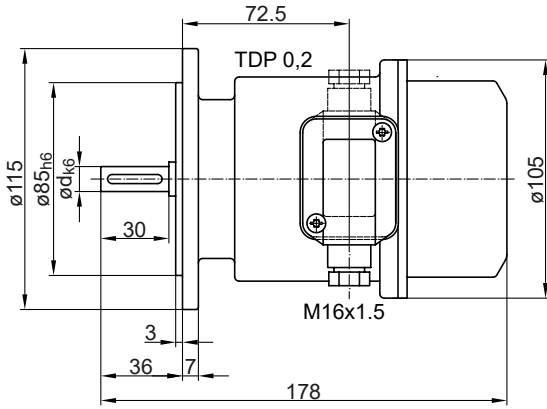


# TDP0,2E LT-4 B10 55 EG

Solid shaft with EURO flange B10, with own bearings

Article number: 11136890

## Dimensions



$\varnothing d$	L1	L2
11	12.6	4

# TDP0,2E LT-4 B10 55 EG

Solid shaft with EURO flange B10, with own bearings

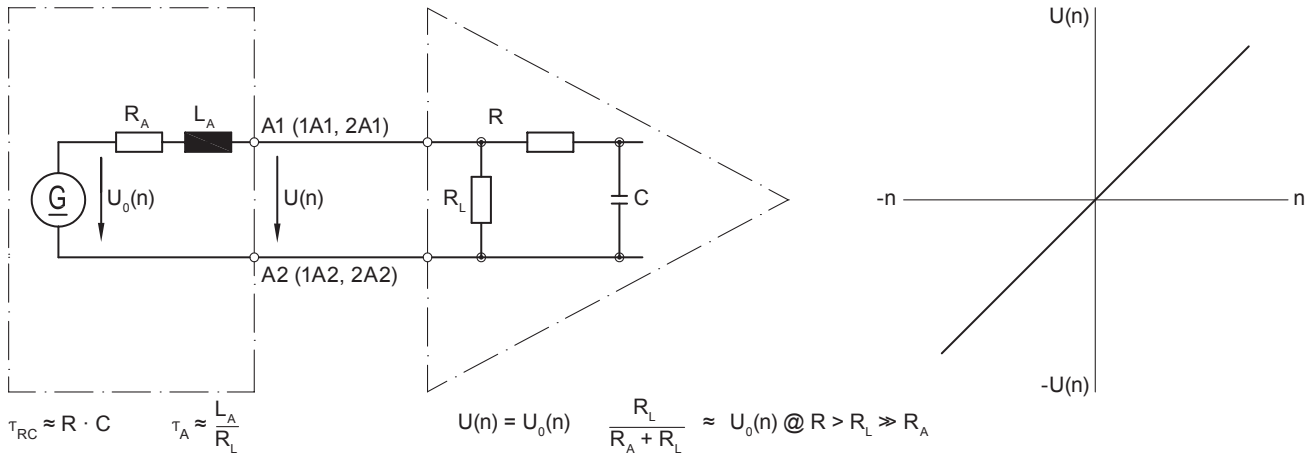
Article number: 11136890

## Data according to type

Type	Open-circuit voltage	Minimum load required depending on speed range [rpm]			Maximum operating speed	Armature resistance	Armature inductance
	$U_0$ [mV/rpm]	0-3000 $R_L$ [k $\Omega$ ]	0-6000 $R_L$ [k $\Omega$ ]	0- $n_{max}$ $R_L$ [k $\Omega$ ]	$n_{max}$ [rpm]	$R_A$ (20°C) [ $\Omega$ ]	$L_A$ [mH]
TDP0,2E LT-4	60	$\geq 2.7$	$\geq 11$	$\geq 30$	10000	99	200
Superimposed ripple (for $\tau_{RC} = 0.7$ ms):		$\leq 0.5\%$ (peak-peak)		$\leq 0.2\%$ (rms)			

## Equivalent circuit diagram

Tachogenerator



Polarity for positive rotating direction (see dimension) / A1 (1A1, 2A1): + (VDE) / A2 (1A2, 2A2): - (VDE)

## Accessories

### Mounting accessories

- Spring disk coupling K 35 (shaft  $\varnothing 6 \dots 12$  mm)
- Spring disk coupling K 50 (shaft  $\varnothing 11 \dots 16$  mm)
- Spring disk coupling K 60 (shaft  $\varnothing 11 \dots 22$  mm)