

Overview

- Distance measuring
- 0 ... 3 mm
- voltage output
- Cable PUR, 2m
- -20... 70 °C
- IP 67



Picture similar



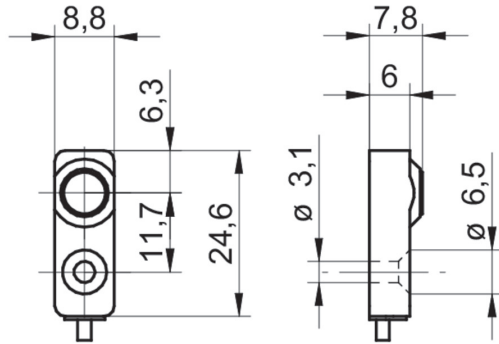
Technical data

General data		Electrical data	
Mounting type	Quasi-flush	Output circuit	Voltage output
Special type	Linearized	Output signal	0 ... 10 VDC
Measuring distance Sd	0 ... 3 mm	Load resistance	> 4000 Ohm
Sensitivity	3,33 V/mm	Short circuit protection	Yes
Resolution	< 0.003 mm (stat.) < 0.009 mm (dynam., S = 0 ... 2 mm) < 0.018 mm (dynam., S = 0 ... 3 mm)	Reverse polarity protection	Yes
Repeat accuracy	0.01 mm	Mechanical data	
Adjustment	External Teach-in	Design	Rectangular
Linearity error	± 15 µm (S = 0 ... 2 mm) ± 90 µm (S = 0 ... 3 mm)	Material (sensing face)	PBT
Temperature drift	± 2 % (Full Scale: S = 0 ... 2 mm) ± 6 % (Full Scale: S = 0 ... 3 mm)	Housing material	Stainless steel
Electrical data		Dimension	8 mm
Response time (factory characteristic)	< 2 ms	Housing length	24.6 mm
Voltage supply range +Vs	12 ... 30 VDC	Connection types	Cable PUR, 2 m
Current consumption max. (no load)	10 mA	Tightening torque max.	0.8 Nm
		Ambient conditions	
		Operating temperature	-20 ... +70 °C
		Protection class	IP 67

Remarks

- Linear analog output

Dimension drawing



Connection diagram

